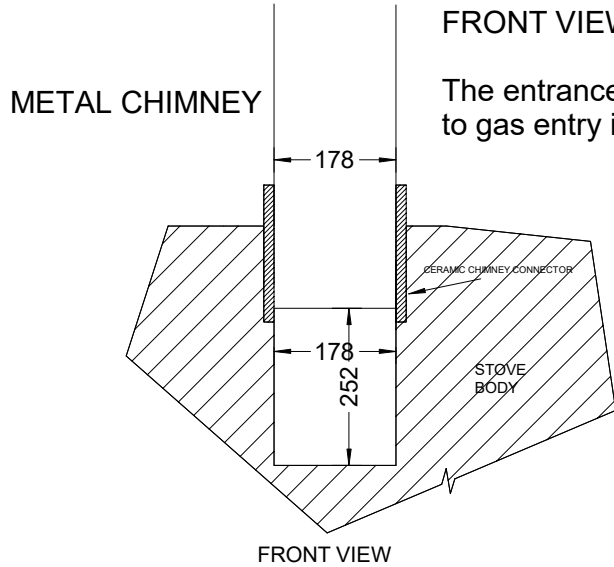


DETAILS OF THE CHIMNEY MOUNT

1

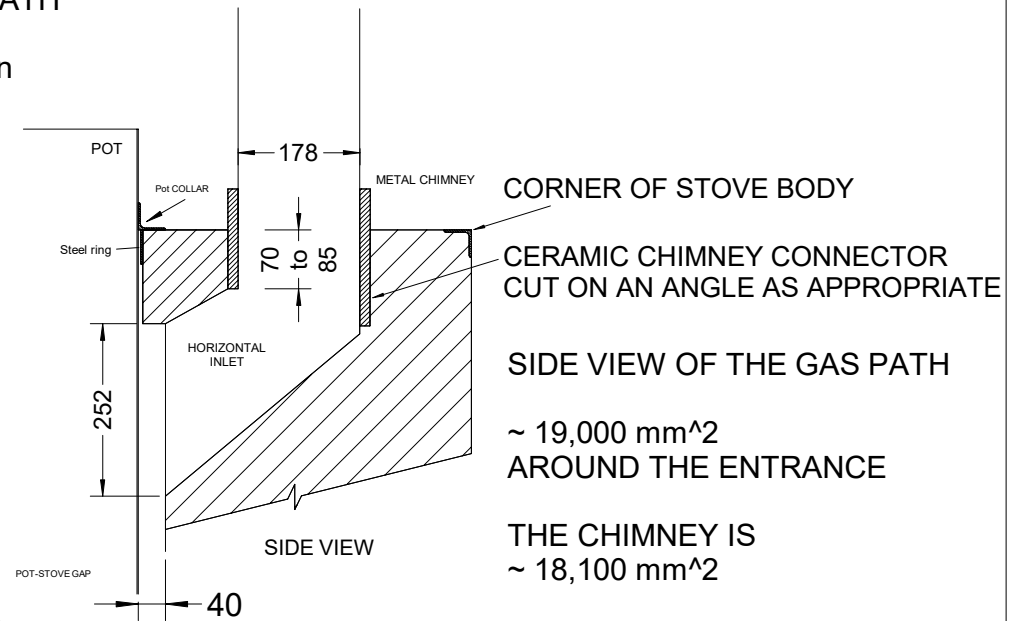


FRONT VIEW OF THE GAS PATH

The entrance is not a restriction to gas entry into the chimney.

The angled bottom causes the chimney soot to drop into the heat exchanger so as not to block the chimney bottom.

2



SIDE VIEW OF THE GAS PATH

~ 19,000 mm²
AROUND THE ENTRANCE

THE CHIMNEY IS
~ 18,100 mm²

The entrance is not a restriction to gas entry into the chimney.

			2024 MEMD 300 LITRE STOVE
			Key Features:
			Bottom of the chimney access channel is sloped so as to drop soot.
			Chimney entrance area is larger than the chimney pipe
			Material: Brick and High temperature brick
			Quantity: Various
			Scale: Not to scale
Version:	Date:	Initials CPP	Drawn By: C Pemberton-Pigott
Drawing No. 05 MEMD 300 Litres Chimney Details			Part: Chimney Details